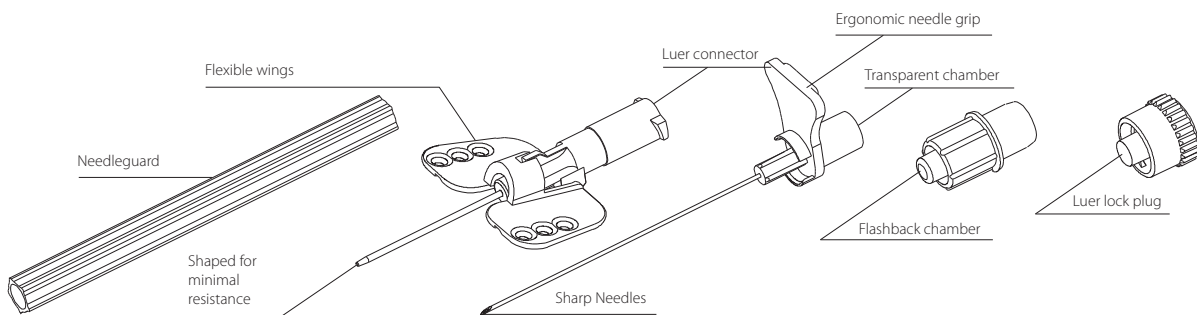


KRUUSE Venocan PLUS IV Catheter

- Sharp needles with long bevel to minimize discomfort/pain during placement
- Transparent flash-back chamber
- Flexible wings for excellent grip
- Tubing made from medical grade Teflon® FEP (fluorinated ethylene propylene)
- Thin-wall catheter with large inner diameter assures good flow
- Suggested catheter dwell time up to 3 days
- Individually packed in blister
- 50/pk

Catheter material studies have indicated an important factor in reducing the incidence of thrombophlebitis. O'Grady *et al* (2011) state Polyurethane and Teflon are associated with less infectious complications (more resistant to bacterial adherence) than polyvinyl or polyethylene catheters.

Cat. No	Size	Gauge	Colour
121906	0.7 x 19 mm	24G	Yellow
121907	0.9 x 25 mm	22G	Blue
121908	1.1 x 32 mm	20G	Pink
121912	1.3 x 32 mm	18G	Green
121909	1.3 x 45 mm	18G	Teal
121910	1.7 x 50 mm	16G	Grey
121911	2.1 x 50 mm	14G	Orange



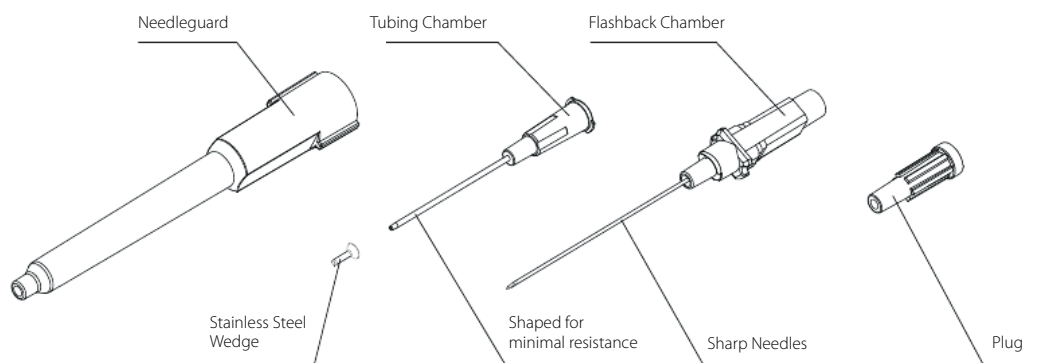
*O'Grady, N., Alexander, M., Burns, L., Dellinger, E., Garland, J., Heard, S., Lipsett, P., Masur, H., Mermel, L., Pearson, M., Raad, I., Randolph, A., Rupp, M. and Saint, S. 2011. Guidelines for the prevention of intravascular catheter related infections. American Journal of Infection Control, 39(4):S1-34

KRUUSE Venocan Pencil Style IV Catheter

- High quality and sharp needles with long bevel to minimize discomfort/pain during placement
- Transparent flash-back chamber
- Tubing made from medical grade Teflon® FEP (fluorinated ethylene propylene)
- Thin-wall catheter with large inner diameter assures good flow
- Suggested catheter dwell time up to 3 days
- Individually packed in blister
- 50/pk

Catheter material studies have indicated an important factor in reducing the incidence of thrombophlebitis. O'Grady *et al* (2011) state Polyurethane and Teflon are associated with less infectious complications (more resistant to bacterial adherence) than polyvinyl or polyethylene catheters.

Cat. No	Size	Gauge	Colour
121933	0.7 x 19 mm	24G	Yellow
121932	0.9 x 25 mm	22G	Blue
121931	1.1 x 32 mm	20G	Pink
121930	1.3 x 45 mm	18G	Green



*O'Grady, N., Alexander, M., Burns, L., Dellinger, E., Garland, J., Heard, S., Lipsett, P., Masur, H., Mermel, L., Pearson, M., Raad, I., Randolph, A., Rupp, M. and Saint, S. 2011. Guidelines for the prevention of intravascular catheter related infections. American Journal of Infection Control, 39(4):S1-34